

SUN EARTH®

PV-MODULE 190 WP

MONO-CRYSTALLINE TDB 125*125-72-P



- HIGH PERFORMANCE SILICON MODULES
- IEC CERTIFICATE
- 100% INTEGRATED QUALITY CONTROL BY SiG SOLAR GMBH
- GERMAN EFFICIENCY AND PRODUCT GUARANTEE
- 10 YEARS PRODUCT GUARANTEE*
- 25 YEARS 80 % PERFORMANCE GUARANTEE*
10 YEARS 90 % PERFORMANCE GUARANTEE*
- POWER TOLERANCE +3% / -0%



• Regelmäßig überwacht
• Geprüft, IEC 61215
• Saftey tested,
IEC 61730



35AY
LISTED
PHOTOVOLTAIC MODULE



 **SUN EARTH
SOLAR POWER**

by

 **SiG
SOLAR**

SiG Solar GmbH
Ernst-Abbe-Straße 6
D-28816 Stuhr
T + 49 (0) 421.278 37 77
F + 49 (0) 421.278 37 79

info@sigsolar.com
www.sigsolar.com

TECHNICAL DATA

ELECTRICAL CHARACTERISTICS

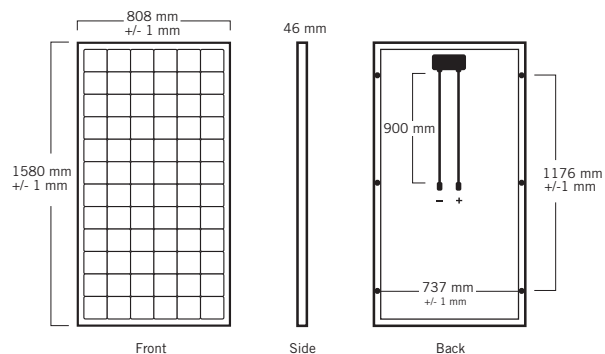
Maximum power (Pmpp):	190 Watt
Power tolerance (Pmpp):	+3/-0%
Maximum power voltage (Umpp):	36,6 Volt
Maximum power current (Impp):	5,20 Ampere
Open circuit voltage (Uoc):	45,0 Volt
Short circuit current (Isc):	5,42 Ampere
Max. series fuse rating (A):	12 Ampere
Max. system voltage (class II):	750 VDC
Max. system voltage (IEC61215):	1000 VDC
Module efficiency:	14,9%
Temp. coefficient	
Power:	- (0,45±0,05)%/°C
Maximum power voltage:	- (0,4±0,05)%/°C
Maximum power current:	+(0,025±0,015)%/°C
Open circuit voltage:	- (0,35±0,02)%/°C
Short circuit current:	+(0,04±0,015)%/°C
NOCT:	47 ± 2 °C
Number of cells:	72
Size of cells:	125 x 125 mm

SUN EARTH®

PV-MODULE 190 WP

MONO-CRYSTALLINE TPB 125*125-72-P

DIMENSIONS



MECHANICAL CHARACTERISTICS

Weight:	16 kg
Frame structure:	Aluminium anodized
Front side:	Glass ¹
Front glass thickness:	3,2 mm
Encapsulant:	EVA ²
Back side:	TPT ³
Junction Box:	IP65
Bypass diode:	Three á 10 Ampere
Plug system:	Compatibel with MC-T4

ABSOLUTE MAXIMUM RATINGS

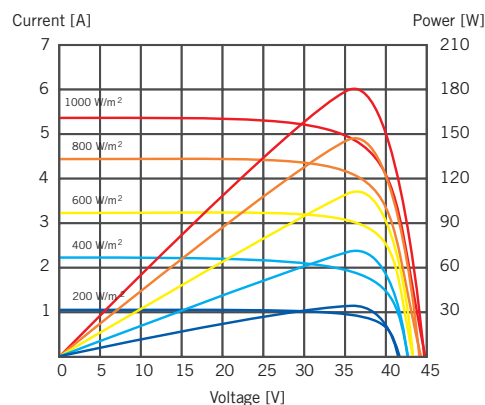
Operating temperature:	-40°C~+85°C
Storage temperature:	-40°C~+85°C
Maximum load capacity:	540 Kg/m ²
Maximum hail diameter:	25 mm at 80 km/h

¹ highly transparent, anti-reflective solar-safety-glass

² EVA, HZF-L-0406 by First Hot-Melt Adhesive Film Co., Ltd. (or comparable)

³ PTL3-38/75TWH by August Krempel & Söhne GmbH (or comparable)

I-V-CURVES

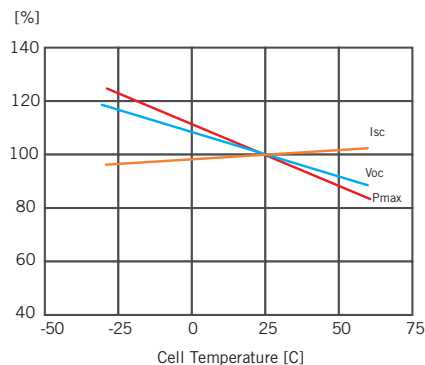


STANDARD TEST CONDITIONS

AM:	1,5
Irradiation:	1000 W/m ²
TC:	25° C

TRANSPORTINFORMATIONEN

Packing configuration:	10 pcs per carton
Size of carton:	1620 x 530 x 853 mm
Weight of carton:	176/185 Kg
Cartons per 40" Container:	58
Pallets per 40" Container:	29



*errors and omissions excepted. Current status: 08/2011
 general terms and conditions and guarantee conditions