

# SUN EARTH®

PV-MODULE 195 WP

MONO-CRYSTALLINE TDB 125\*125-72-P



- HIGH PERFORMANCE SILICON MODULES
- IEC CERTIFICATE
- 100% INTEGRATED QUALITY CONTROL BY SiG SOLAR GMBH
- GERMAN EFFICIENCY AND PRODUCT GUARANTEE
- 10 YEARS PRODUCT GUARANTEE\*
- 25 YEARS 80 % PERFORMANCE GUARANTEE\*  
10 YEARS 90 % PERFORMANCE GUARANTEE\*
- POWER TOLERANCE +3% / -0%



• Regelmäßig überwacht  
• Geprüft, IEC 61215  
• Saftey tested,  
IEC 61730



35AY  
LISTED  
PHOTOVOLTAIC MODULE



 **SUN EARTH  
SOLAR POWER**

by

 **SiG  
SOLAR**

SiG Solar GmbH  
Ernst-Abbe-Straße 6  
D-28816 Stuhr  
T + 49 (0) 421.278 37 77  
F + 49 (0) 421.278 37 79

info@sigsolar.com  
www.sigsolar.com

# TECHNICAL DATA

## ELECTRICAL CHARACTERISTICS

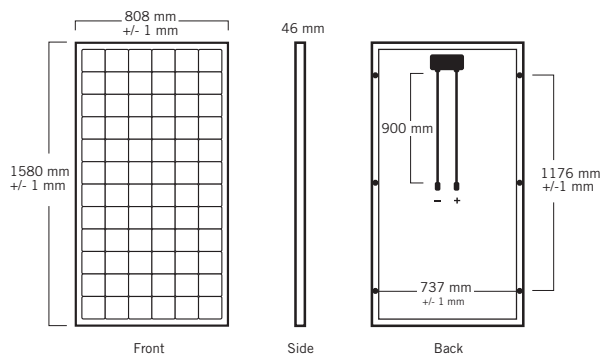
Maximum power (Pmpp):	195 Watt
Power tolerance ( Pmpp):	+3/-0%
Maximum power voltage (Umpp):	36,8 Volt
Maximum power current (Impp):	5,30 Ampere
Open circuit voltage (Uoc):	45,2 Volt
Short circuit current (Isc):	5,49 Ampere
Max. series fuse rating (A):	12 Ampere
Max. system voltage (class II):	750 VDC
Max. system voltage (IEC61215):	1000 VDC
Module efficiency:	15,3%
Temp. coefficient	
Power:	- (0,45±0,05)%/°C
Maximum power voltage:	- (0,4±0,05)%/°C
Maximum power current:	+(0,025±0,015)%/°C
Open circuit voltage:	- (0,35±0,02)%/°C
Short circuit current:	+(0,04±0,015)%/°C
NOCT:	47 ± 2 °C
Number of cells:	72
Size of cells:	125 x 125 mm

# SUN EARTH®

PV-MODULE 195 WP

MONO-CRYSTALLINE TPB 125\*125-72-P

## DIMENSIONS



## MECHANICAL CHARACTERISTICS

Weight:	16 kg
Frame structure:	Aluminium anodized
Front side:	Glass <sup>1</sup>
Front glass thickness:	3,2 mm
Encapsulant:	EVA <sup>2</sup>
Back side:	TPT <sup>3</sup>
Junction Box:	IP65
Bypass diode:	Three á 10 Ampere
Plug system:	Compatibel with MC-T4

## ABSOLUTE MAXIMUM RATINGS

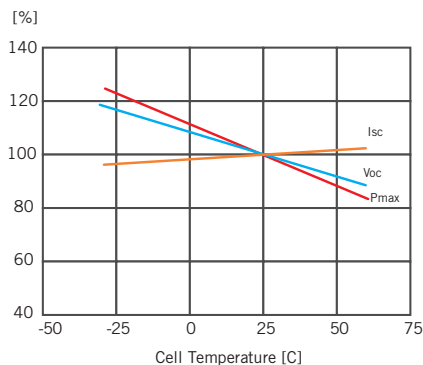
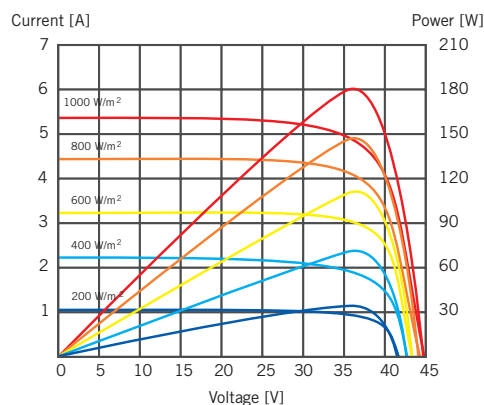
Operating temperature:	-40°C~+85°C
Storage temperature:	-40°C~+85°C
Maximum load capacity:	540 Kg/m <sup>2</sup>
Maximum hail diameter:	25 mm at 80 km/h

<sup>1</sup> highly transparent, anti-reflective solar-safety-glass

<sup>2</sup> EVA, HZF-L-0406 by First Hot-Melt Adhesive Film Co., Ltd. (or comparable)

<sup>3</sup> PTL3-38/75TWH by August Krempel & Söhne GmbH (or comparable)

## I-V-CURVES



## STANDARD TEST CONDITIONS

AM:	1,5
Irradiation:	1000 W/m <sup>2</sup>
TC:	25° C

## TRANSPORTINFORMATIONEN

Packing configuration:	10 pcs per carton
Size of carton:	1620 x 530 x 853 mm
Weight of carton:	176/185 Kg
Cartons per 40" Container:	58
Pallets per 40" Container:	29

\*errors and omissions excepted. Current status: 08/2011  
general terms and conditions and guarantee conditions