

SUN EARTH®

PV-MODULE 285 WP

POLY-CRYSTALLINE TPB 156*156-72-P



- HIGH PERFORMANCE SILICON MODULES
- IEC CERTIFICATE
- 100% INTEGRATED QUALITY CONTROL BY SiG SOLAR GMBH
- GERMAN EFFICIENCY AND PRODUCT GUARANTEE
- 10 YEARS PRODUCT GUARANTEE*
- 25 YEARS 80 % PERFORMANCE GUARANTEE*
10 YEARS 90 % PERFORMANCE GUARANTEE*
- POWER TOLERANCE +3% / -0%



• Regelmäßig überwacht
• Geprüft, IEC 61215
• Saftey tested,
IEC 61730



35AY
LISTED
PHOTOVOLTAIC MODULE



 **SUN EARTH
SOLAR POWER**

by

 **SiG
SOLAR**

SiG Solar GmbH
Ernst-Abbe-Straße 6
D-28816 Stuhr
T + 49 (0) 421.278 37 77
F + 49 (0) 421.278 37 79

info@sigsolar.com
www.sigsolar.com

TECHNICAL DATA

ELECTRICAL CHARACTERISTICS

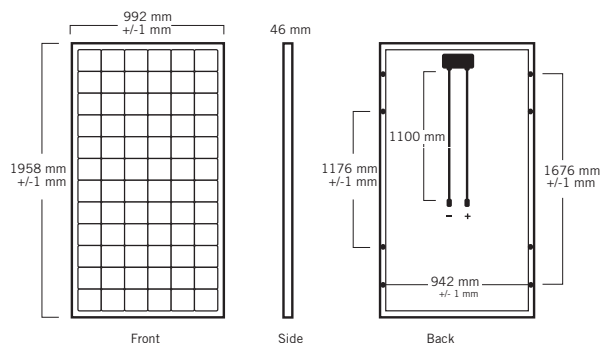
| | |
|---------------------------------|--------------------|
| Maximum power (Pmpp): | 285 Watt |
| Power tolerance (Pmpp): | +3/-0% |
| Maximum power voltage (Umpp): | 35,1 Volt |
| Maximum power current (Impp): | 8,12 Ampere |
| Open circuit voltage (Uoc): | 44,1 Volt |
| Short circuit current (Isc): | 8,51 Ampere |
| Max. series fuse rating (A): | 12 Ampere |
| Max. system voltage (class II): | 750 VDC |
| Max. system voltage (IEC61215): | 1000 VDC |
| Module efficiency: | 14,7% |
| Temp. coefficient | |
| Power: | - (0,45±0,05)%/°C |
| Maximum power voltage: | - (0,4±0,05)%/°C |
| Maximum power current: | +(0,025±0,015)%/°C |
| Open circuit voltage: | - (0,35±0,02)%/°C |
| Short circuit current: | +(0,04±0,015)%/°C |
| NOCT: | 47 ± 2 °C |
| Number of cells: | 72 |
| Size of cells: | 156 x 156 mm |

SUN EARTH®

PV-MODULE 285 WP

POLY-CRISTALLINE TPB 156*156-72-P

DIMENSIONS



MECHANICAL CHARACTERISTICS

| | |
|------------------------|-----------------------|
| Weight: | 27 kg |
| Frame structure: | Aluminium anodized |
| Front side: | Glass ¹ |
| Front glass thickness: | 3,2 mm |
| Encapsulant: | EVA ² |
| Back side: | TPT ³ |
| Junction Box: | IP65 |
| Bypass diode: | Three á 10 Ampere |
| Plug system: | Compatibel with MC-T4 |

ABSOLUTE MAXIMUM RATINGS

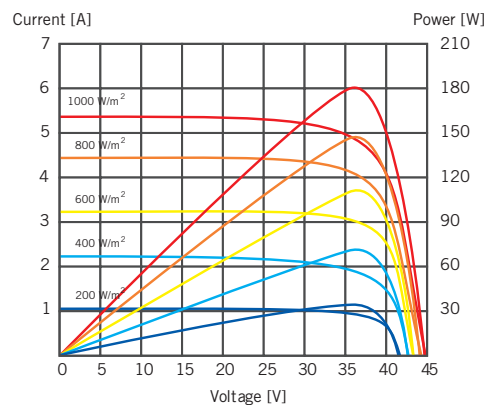
| | |
|------------------------|-----------------------|
| Operating temperature: | -40°C~+85°C |
| Storage temperature: | -40°C~+85°C |
| Maximum load capacity: | 540 Kg/m ² |
| Maximum hail diameter: | 25 mm at 80 km/h |

¹ highly transparent, anti-reflective solar-safety-glass

² EVA, HZF-L-0406 by First Hot-Melt Adhesive Film Co., Ltd. (or comparable)

³ PTL3-38/75TWH by August Krempel & Söhne GmbH (or comparable)

I-V-CURVES

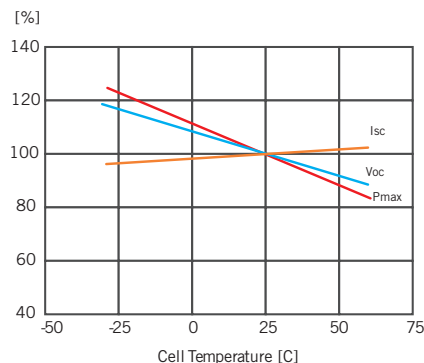


STANDARD TEST CONDITIONS

| | |
|--------------|-----------------------|
| AM: | 1,5 |
| Irradiation: | 1000 W/m ² |
| TC: | 25° C |

TRANSPORTINFORMATIONEN

| | |
|----------------------------|----------------------|
| Packing configuration: | 20 pcs per carton |
| Size of carton: | 1970 x 1025 x 980 mm |
| Weight of carton: | 540/560 Kg |
| Cartons per 40" Container: | 22 |
| Pallets per 40" Container: | 22 |



*errors and omissions excepted. Current status: 08/2011 general terms and conditions and guarantee conditions